

# Technical data sheet

Product features



## Display unit heated, glass ceramic GN 3-1/1 drop-in

<b>Model</b>	<b>SAP Code</b>	00012086
--------------	-----------------	----------



- Buffet type: BROWN - heated, glass-ceramic
- Device properties: Warmed
- Number of GN / EN: 3
- GN / EN size in device: GN 1/1
- Minimum device temperature [°C]: 60
- Maximum device temperature [°C]: 100

<b>SAP Code</b>	00012086	<b>Loading</b>	230 V / 1N - 50 Hz
<b>Net Width [mm]</b>	650	<b>Number of GN / EN</b>	3
<b>Net Depth [mm]</b>	1139	<b>GN / EN size in device</b>	GN 1/1
<b>Net Height [mm]</b>	100	<b>Minimum device temperature [°C]</b>	60
<b>Net Weight [kg]</b>	27.00	<b>Maximum device temperature [°C]</b>	100
<b>Power electric [kW]</b>	0.855		

# Technical data sheet

Technical drawing



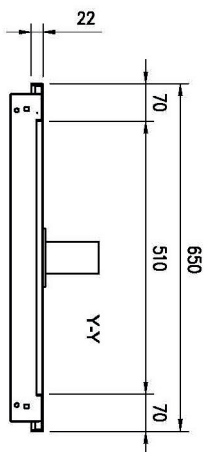
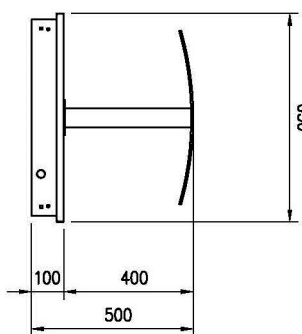
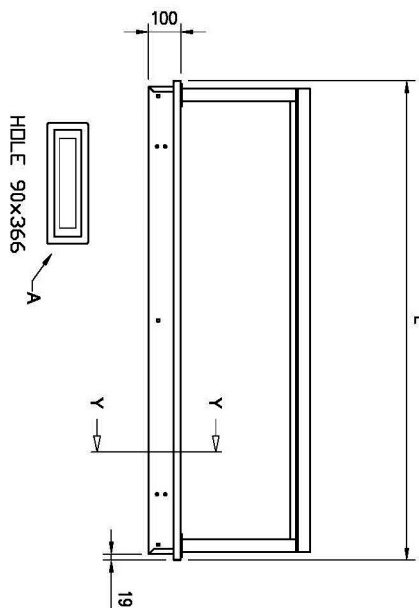
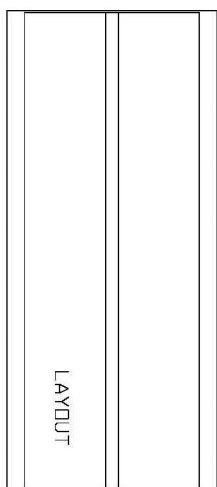
Display unit heated, glass ceramic GN 3-1/1 drop-in

Model

SAP Code

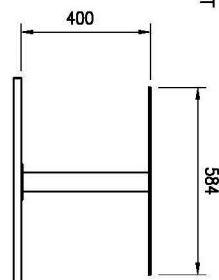
00012086

A = ELECTRICAL CONNECTION  
 D = WATER DISCHARGE G1/2" (M) ONLY BM  
 E = WATER INLET G3/4" (M) ONLY BM

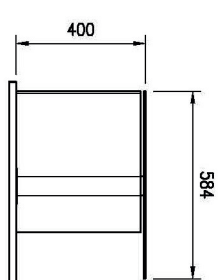


GN	L	HOLE
2/1	844	814x620
3/1	1169	1139x620
4/1	1494	1464x620
5/1	1819	1789x620
6/1	2144	2114x620

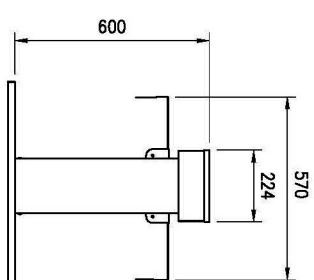
FLAT



SERVICE



TRADITION



# Technical data sheet

Product benefits



Display unit heated, glass ceramic GN 3-1/1 drop-in

Model

SAP Code

00012086

1

## Built-in

the possibility to plant in a dispensing block design

- unified design of the dispensing line
- a luxurious look that customers appreciate

2

## Glass ceramic plate

smooth hard surface  
endurance

- easy maintenance
- long service life

3

## No press

without sharp edges and corners

- higher hygienic safety
- time saving due to easy cleaning

4

## All-stainless steel construction

harmless to health for contact with food  
robustness

- long service life
- very easy to clean

# Technical data sheet

Technical parameters



Display unit heated, glass ceramic GN 3-1/1 drop-in

Model

SAP Code

00012086

**1. SAP Code:**

00012086

**2. Net Width [mm]:**

650

**3. Net Depth [mm]:**

1139

**4. Net Height [mm]:**

100

**5. Net Weight [kg]:**

27.00

**6. Gross Width [mm]:**

730

**7. Gross depth [mm]:**

1230

**8. Gross Height [mm]:**

700

**9. Gross Weight [kg]:**

31.70

**10. Device type:**

Electric unit

**11. Material:**

AISI 304

**12. Buffet type:**

BROWN - heated, glass-ceramic

**13. Device properties:**

Warmed

**14. Exterior color of the device:**

Black

**15. Power electric [kW]:**

0.855

**16. Loading:**

230 V / 1N - 50 Hz

**17. Number of GN / EN:**

3

**18. GN / EN size in device:**

GN 1/1

**19. Minimum device temperature [°C]:**

60

**20. Maximum device temperature [°C]:**

100